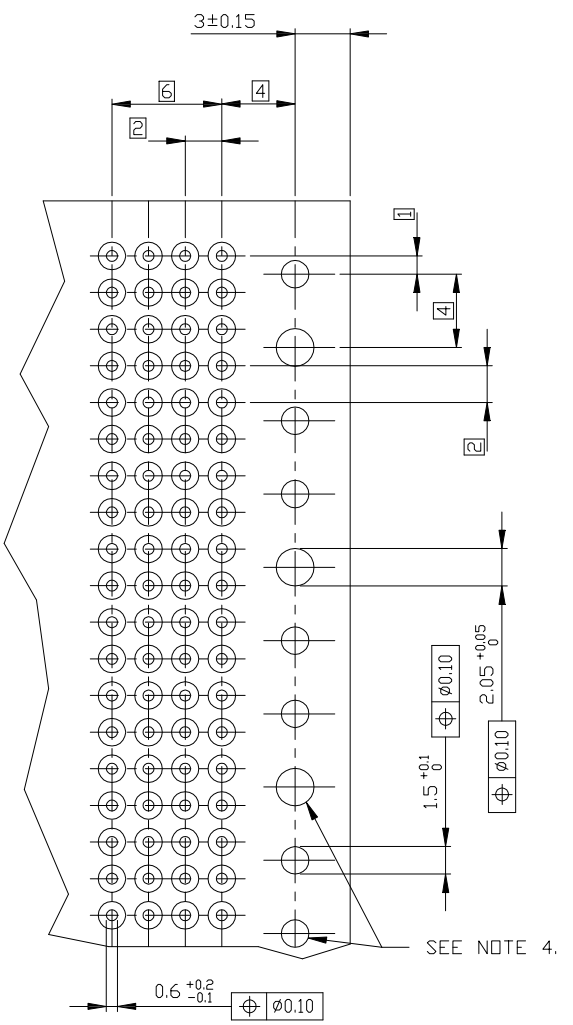
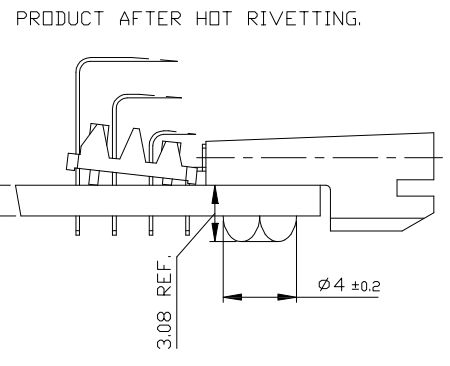
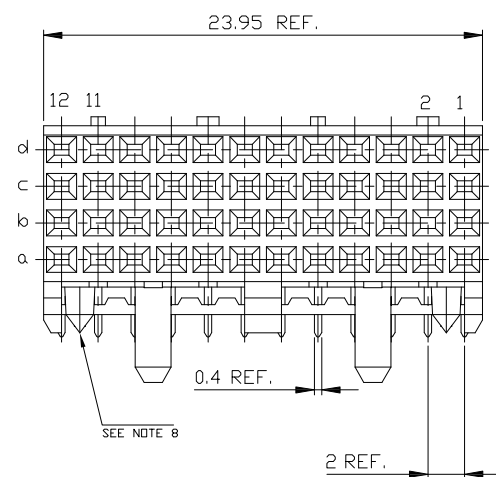
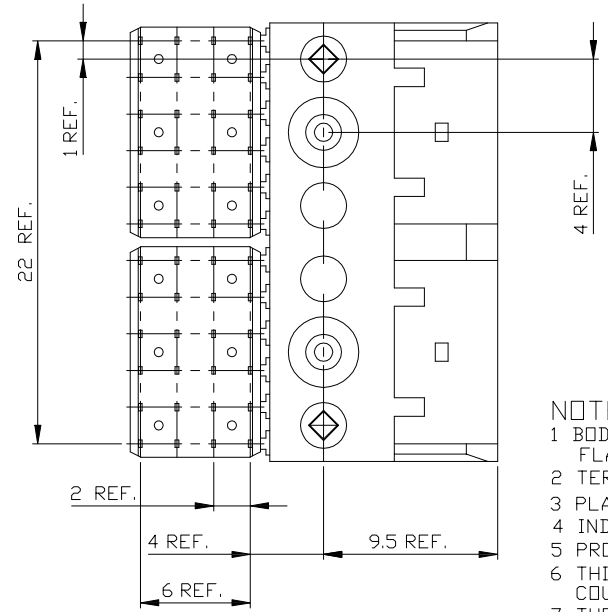
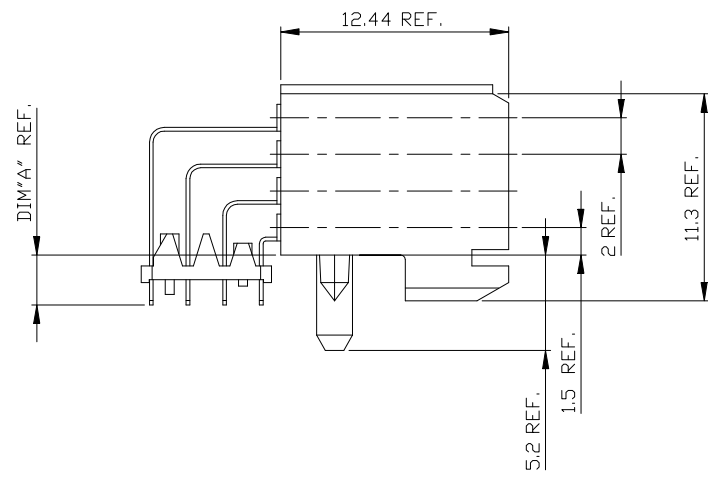


Tous droits strictement réservés. Reproduction ou communication à des tiers sans autorisation écrite du propriétaire de C.F.C.I. S.A.



All rights strictly reserved. Reproduction or issue to third parties in any form without written authority from the proprietor. Property of C.F.C.I. S.A.

PC BOARD VERSIONS		
PRODUCTNR:	PCB THICKNESS	DIM"A"
70228-X01/X01LF	1.6	2.90
70228-X11/X11LF	2.4	3.53

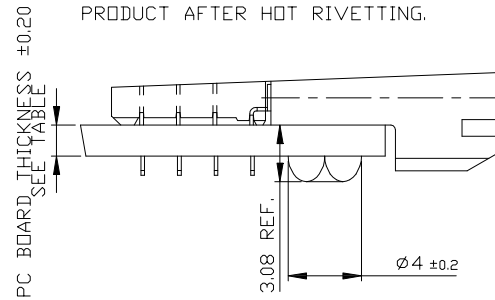
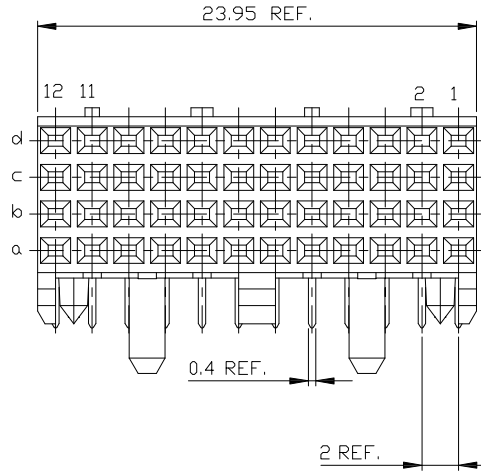
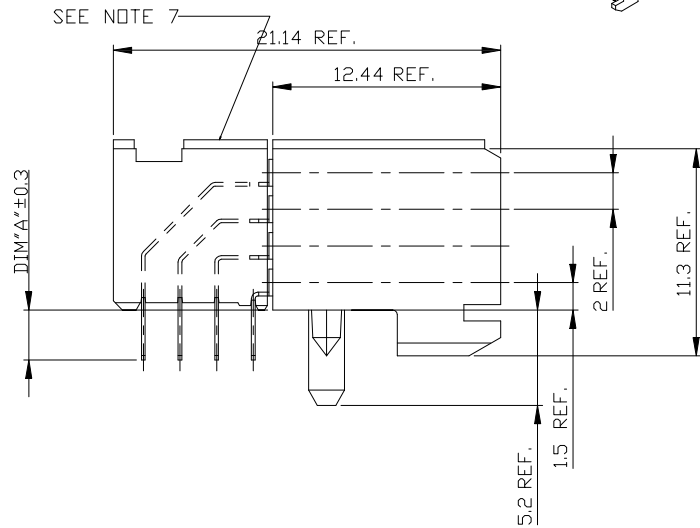
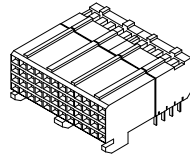


- NOTES:
- BODY MAT'L: LIQUID CRYSTAL POLYMER 30% GLASS FLAME RETARDANT ACC. UL 94-V0
  - TERMINAL MATERIAL: PHOSPHOR BRONZE.
  - PLATING SOLDER TAILS 2-8 um SnPb 90-97 OR 2-8 um PURE Sn
  - INDICATED HOLES ARE UNPLATED.
  - PRODUCT MARKING: PARTNUMBER & BATCH ID.
  - THIS PRODUCT MEETS EUROPEAN UNION DIRECTIVES AND OTHER COUNTRY REGULATIONS AS DESCRIBED IN GS-22-008.
  - THE HOUSING WILL WITHSTAND EXPOSURE TO 260 DEGREE PEAK TEMPERATURE FOR 10 SECONDS IN A WAVE SOLDER APPLICATION.
  - DIAMOND LOCATION PEG ARE ONLY EXISTED ON THE BOTH SIDES OF PRODUCT.

PLATING CONTACT AREA:	
DASH NR:	PERFORMANCE LEVEL:
-1YY/1YYLF	TELCORDIA CO
-2YY/2YYLF	CUSTOMER SPECIAL
-3YY/3YYLF	CUSTOMER SPECIAL
-9YY/9YYLF	TELCORDIA CO

mat'l. code		tolerances unless otherwise specified		CUSTOMER CDPY		FCI	
ltr	ecn	no	date	linear	projection	title	www.fciconnection.com
K	DG04-004	CLU	041221			RA FEMALE SIGNAL	
L	DG06-0477	CenH	11/17/06			STB 24 mm VERSION	
M	DG07-0168	CenH	05/10/07	angles			
G	V70769	DDB	970602	dir	Avan Zanten	900918	product family METRAL(tm)
K	V00578	LLA	000316	engr	H. Bouwknegt	940308	code 213
H	V00847	LLA	000530	chr	A van Zanten	900918	scale 5:1
J	V00847	LLA	000530	app	H van Voensel	900918	sheet 1 of 3
sheet	revision	M	M	M			
index	sheet	1	2	3			

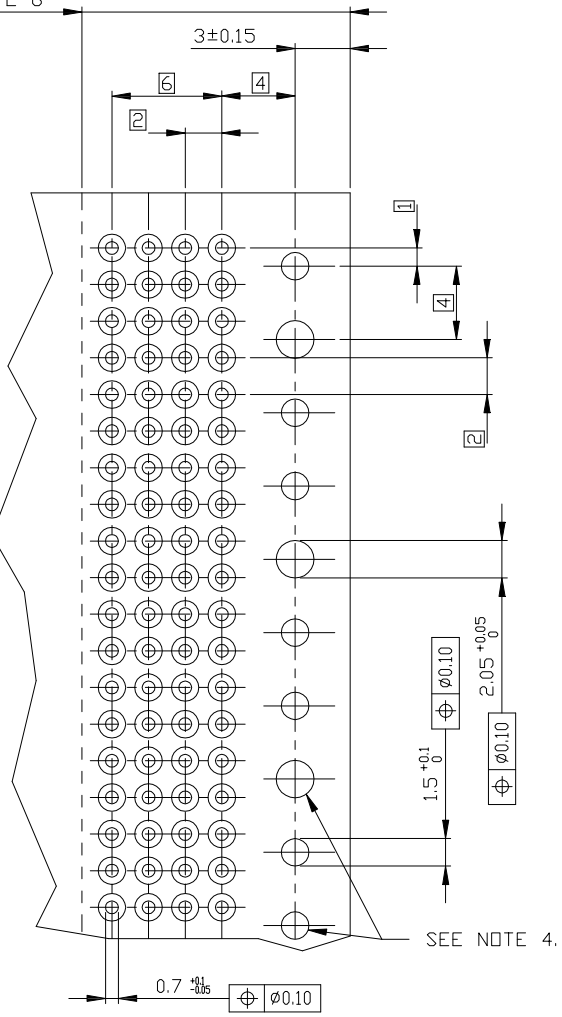
PC BOARD VERSIONS		
PRODUCTNR:	PCB THICKNESS	DIM"A"
70228-X02/X02LF	1.6	2.90
70228-X12/X12LF	2.4	3.53



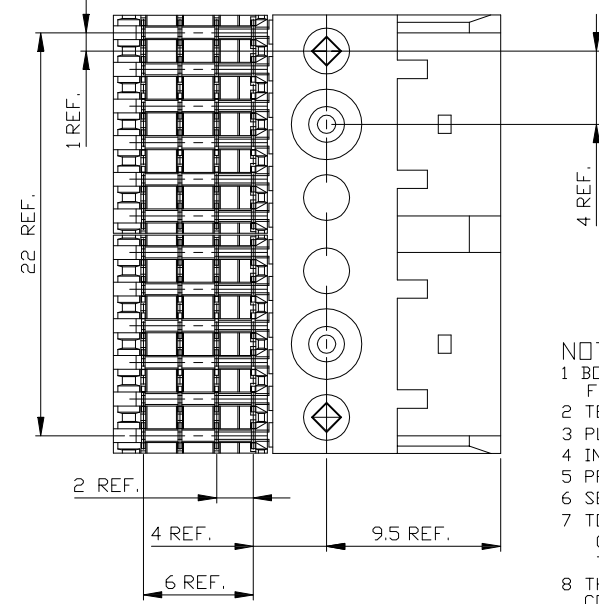
PC BOARD THICKNESS ±0.20  
SEE TABLE

PRODUCT AFTER HOT RIVETTING.

14.64 REF. SEE NOTE 6



RECOMMENDED HOLE PATTERN,  
COMPONENT SIDE.



NOTES:

- BODY MAT'L: LIQUID CRYSTAL POLYMER 30% GLASS  
FLAME RETARDANT ACC. UL 94-V0
- TERMINAL MATERIAL: PHOSPHOR BRONZE.
- PLATING SOLDER TAILS 2-8 um SnPb 90-97 OR 2-8 um PURE Sn
- INDICATED HOLES ARE UNPLATED.
- PRODUCT MARKING: PARTNUMBER & BATCH ID.
- SET BACK FOR PRESS BLOCK.
- TOP SURFACE OF PRESS BLOCK MAY EXTEND UP TO 0.4MM HIGHER THAN HOUSING. THIS MAY AFFECT THE TAIL LENGTH BEFORE APPLICATION TO A BOARD
- THIS PRODUCT MEETS EUROPEAN UNION DIRECTIVES AND OTHER COUNTRY REGULATIONS AS DESCRIBED IN GS-22-008.
- THE HOUSING WILL WITHSTAND EXPOSURE TO 260DEGREE PEAK TEMPERATURE FOR 10 SECONDS IN A WAVE SOLDER APPLICATION.
- DIAMOND LOCATION PEG ARE ONLY EXISTED ON THE BOTH SIDES OF PRODUCT.

PLATING CONTACT AREA:

DASH NR:	PERFORMANCE LEVEL:
-1YY/1YYLF	TELCORDIA CO
-2YY/2YYLF	CUSTOMER SPECIAL
-3YY/3YYLF	CUSTOMER SPECIAL
-9YY/9YYLF	TELCORDIA CO

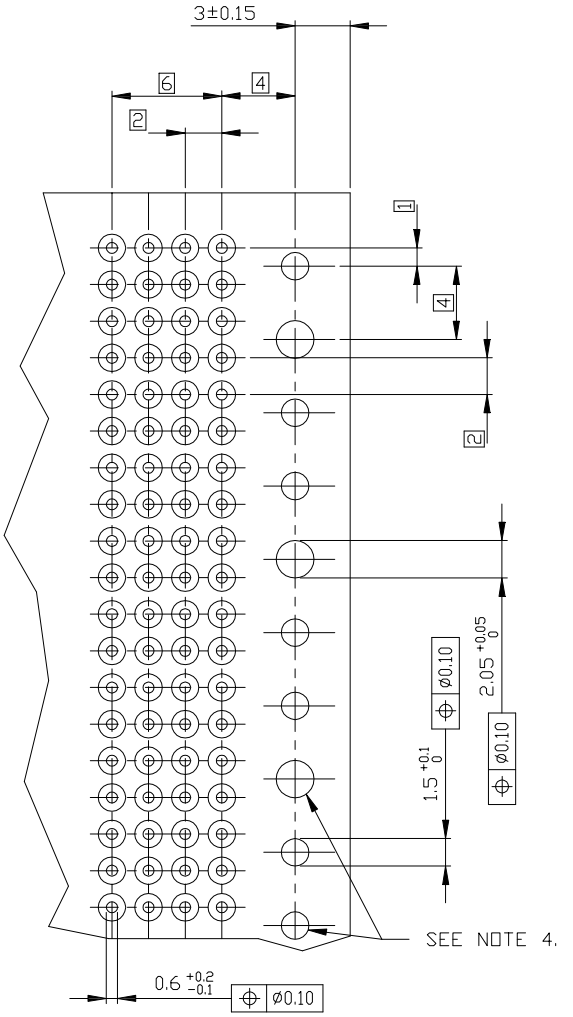
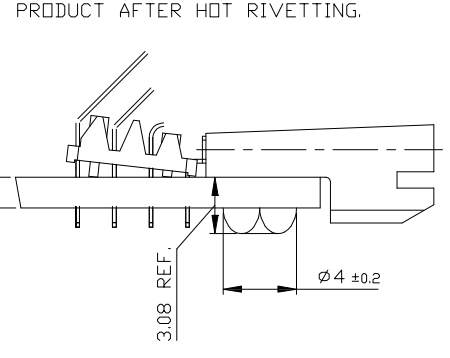
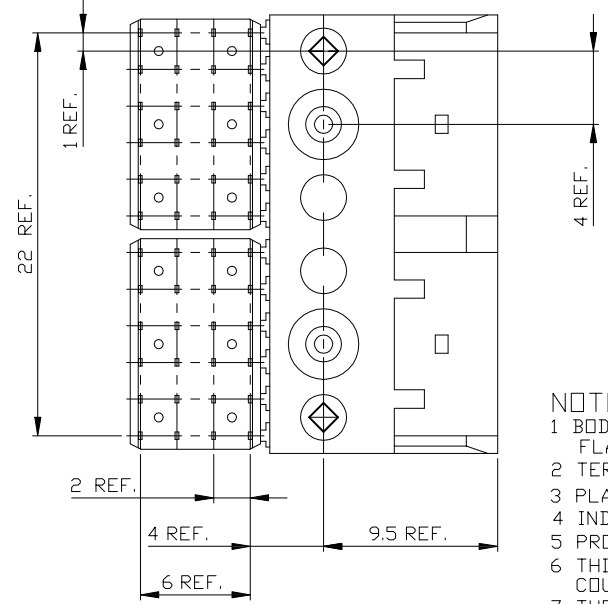
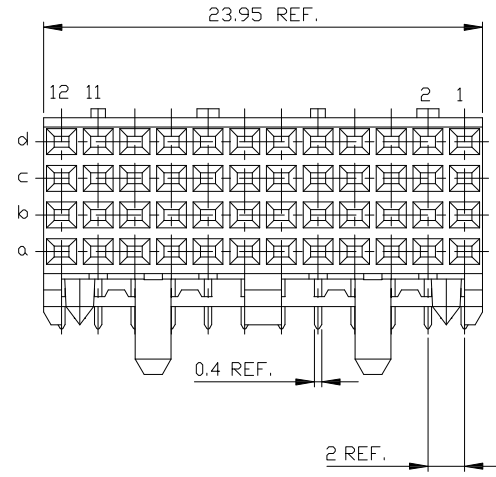
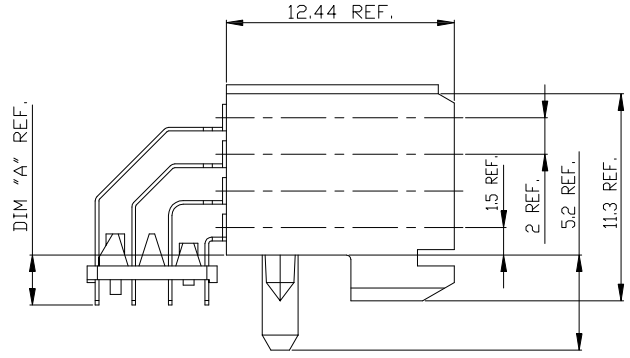
mat'l. code		tolerances unless otherwise specified		CUSTOMER COPY			
l	tr	ec	n	n	o	d	r
linear		projection		title		www.fciconnection.com	
angles				RA FEMALE SIGNAL		code	
dir: D. de Bil 970529 engr: P. Schalk 970529 chr: P. Schalk 970529 app: H. Cooljans 970529		product family METRAL(tm) size/dwg no scale 5:1		STB 24 mm VERSION		213	
sheet index		revision sheet		A2		70228	
						sheet 2 of 2	

All rights strictly reserved. Reproduction or issue in any form without written authority from the proprietor. Property of FCI bv. © FCI bv.



All rights strictly reserved. Reproduction or issue in any form without written authority from the proprietor. Property of F.C.I. S.A. © F.C.I. S.A.

PC BOARD VERSIONS		
PRODUCTNR:	PCB THICKNESS	DIM "A"
70228-X03/X03LF	1.6	2.90
70228-X13/X13LF	2.4	3.53



- NOTES:**
- BODY MAT'L: LIQUID CRYSTAL POLYMER 30% GLASS FLAME RETARDANT ACC. UL 94-V0
  - TERMINAL MATERIAL: PHOSPHOR BRONZE.
  - PLATING SOLDER TAILS 2-8 um SnPb 90-97 OR 2-8 um PURE Sn
  - INDICATED HOLES ARE UNPLATED.
  - PRODUCT MARKING: PARTNUMBER & BATCH ID.
  - THIS PRODUCT MEETS EUROPEAN UNION DIRECTIVES AND OTHER COUNTRY REGULATIONS AS DESCRIBED IN GS-22-008.
  - THE HOUSING WILL WITHSTAND EXPOSURE TO 260 DEGREE PEAK TEMPERATURE FOR 10 SECONDS IN A WAVE SOLDER APPLICATION.
  - DIAMOND LOCATION PEG ARE ONLY EXISTED ON THE BOTH SIDES OF PRODUCT.

PLATING CONTACT AREA:	
DASH NR:	PERFORMANCE LEVEL:
-1YY/1YYLF	TELCORDIA CO
-2YY/2YYLF	CUSTOMER SPECIAL
-3YY/3YYLF	CUSTOMER SPECIAL
-9YY/9YYLF	TELCORDIA CO

mat'l. code		tolerances unless otherwise specified		CUSTOMER CDPY		 www.ficconnection.com	
ltr	ecn	nodr	date	linear	projection	title	RA FEMALE SIGNAL
M				angles	mm	product family	METRAL(tm)
				dir Heaven Cen 11/17/06		size	dwg no
				enr Collins Lu 11/17/06		scale	5:1
				chr Beer Fu 11/17/06		sheet	213
				appd Joseph Hsla 11/17/06		3 of	
sheet	revision						
index	sheet						